



Aristo®

**U82**



## Spare parts list

<b>Ordering number</b>	<b>Product</b>
0460 820 880	Aristo® U8 <sub>2</sub>
0460 820 881	Aristo® U8 <sub>2</sub> Plus
0460 820 882	Aristo® U8 <sub>2</sub> Plus I/O
0460 820 883	Aristo® U8 <sub>2</sub> Plus I/O 255

Spare parts may be ordered through your nearest ESAB dealer, see [esab.com](https://www.esab.com). When ordering, please state product type, serial number, denominations and ordering numbers according to the spare parts list. This facilitates dispatch and ensures correct delivery.

Maintenance and repair work should be performed by an experienced person, and electrical work only by a trained electrician. Use only recommended spare parts.

For accessories to the product, see the instruction manual.

**SPARE PARTS** ..... **4**

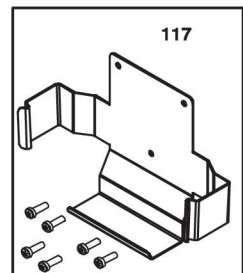
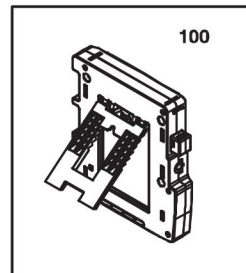
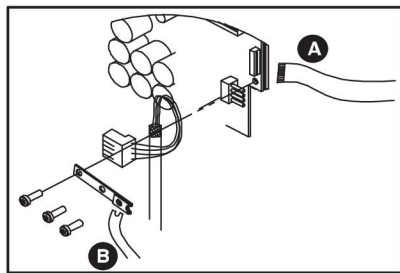
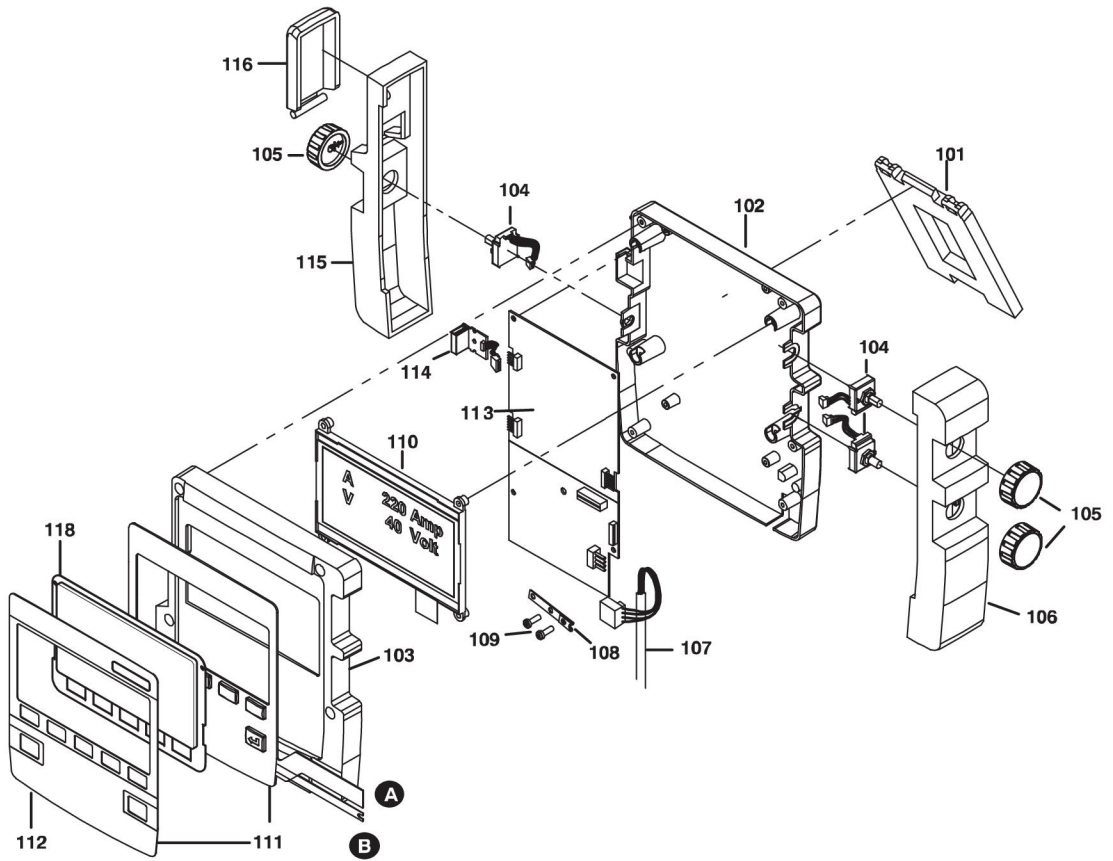
## SPARE PARTS

**C = Component designation in the circuit diagram**

Item	Qty	Ordering no.	Denomination	Notes	C
100	1	0462 060 880	Plastic box	Includes item 101, 102, 103	
101	1		Support	Included in item 100	
102	1		Bottom cover	Included in item 100	
103	1		Top cover	Included in item 100	
104	3	0193 912 002	Encoder		SW1, SW2, SW3
105	3	0460 828 001	Knob		
106	1	0460 823 001	Side panel	Right	
107	1	0460 877 890	Control cable	L = 1.2	
108	1	0460 852 001	Shield tinfoil		
109	16		Screw	Remform Torx 4×12	
110	1	0193 949 003	Graphic display		1AP2
111	1	0460 822 880	Key pad, complete	Includes item 112	1AP3
112	1	0460 982 001	Key pad overlay	Included in item 111	
113	1		Weld data unit, PCB	See item 150 below.	1AP1
114	1	0487 696 880	USB printed circuit board		1AP4
115	1	0460 824 001	Side panel	Left	
116	1	0460 850 001	Cover for USB outlet	Rubber	
117	1	0460 964 001	Bracket		
117	6	0394 516 033	Spacing screw	M2×12	
	1	0194 313 001	Battery	CR 2450, included in the weld data unit, PCB	
118	1	0349 312 604	Display protection U8 <sub>2</sub>		

**Spare parts kits**

Item	Ordering no.	Denomination	Notes
150	0460 820 880	Aristo® U8 <sub>2</sub>	In exchange of broken weld data unit PCB 1AP1
150	0460 820 881	Aristo® U8 <sub>2</sub> Plus	In exchange of broken weld data unit PCB 1AP1
150	0460 820 882	Aristo® U8 <sub>2</sub> Plus I/O	In exchange of broken weld data unit PCB 1AP1
150	0460 820 883	Aristo® U8 <sub>2</sub> Plus I/O 255	In exchange of broken weld data unit PCB 1AP1





# A WORLD OF PRODUCTS AND SOLUTIONS.



For contact information visit [esab.com](http://esab.com)

ESAB AB, Lindholmsallén 9, Box 8004, 402 77 Gothenburg, Sweden, Phone +46 (0) 31 50 90 00

<http://manuals.esab.com>

